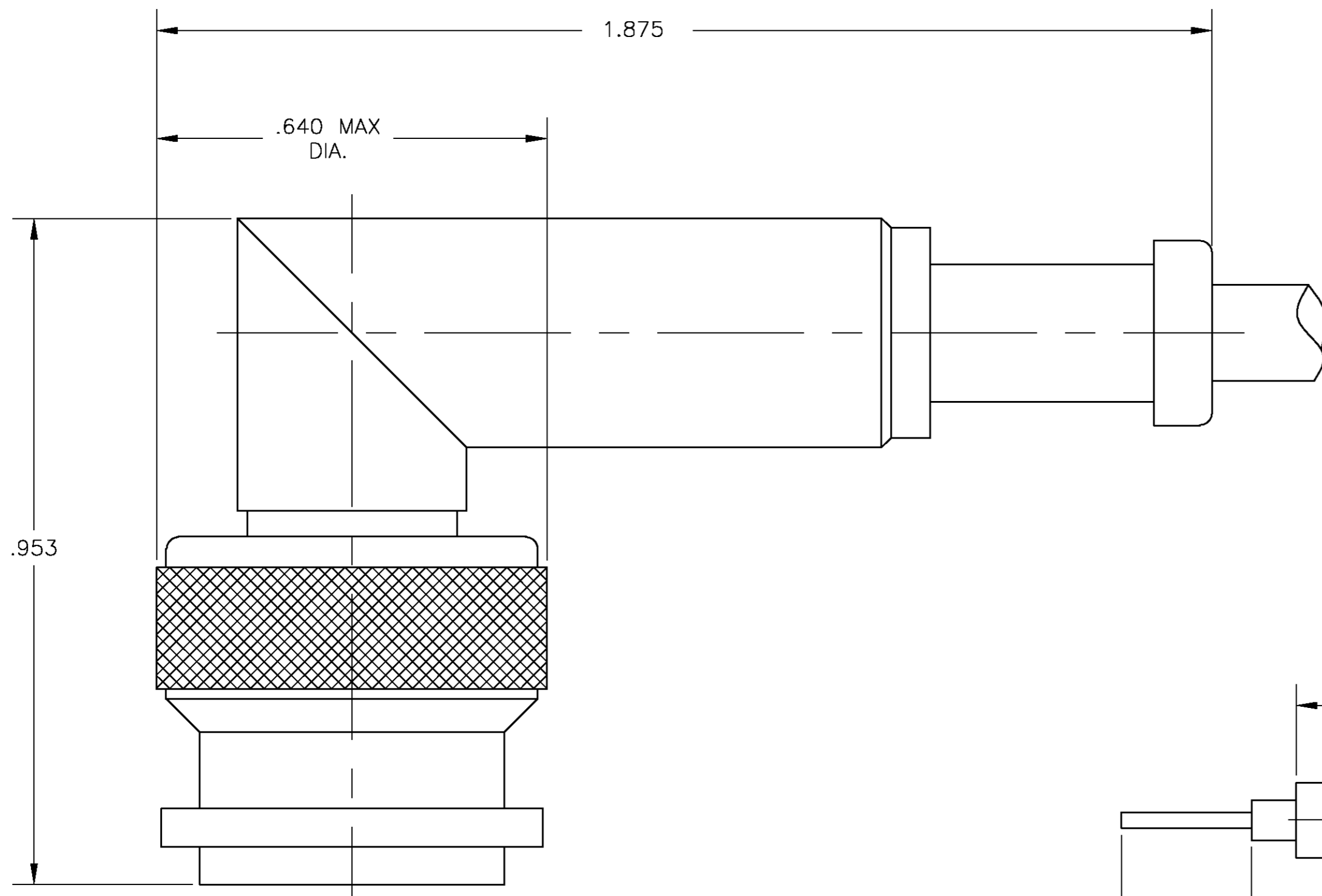


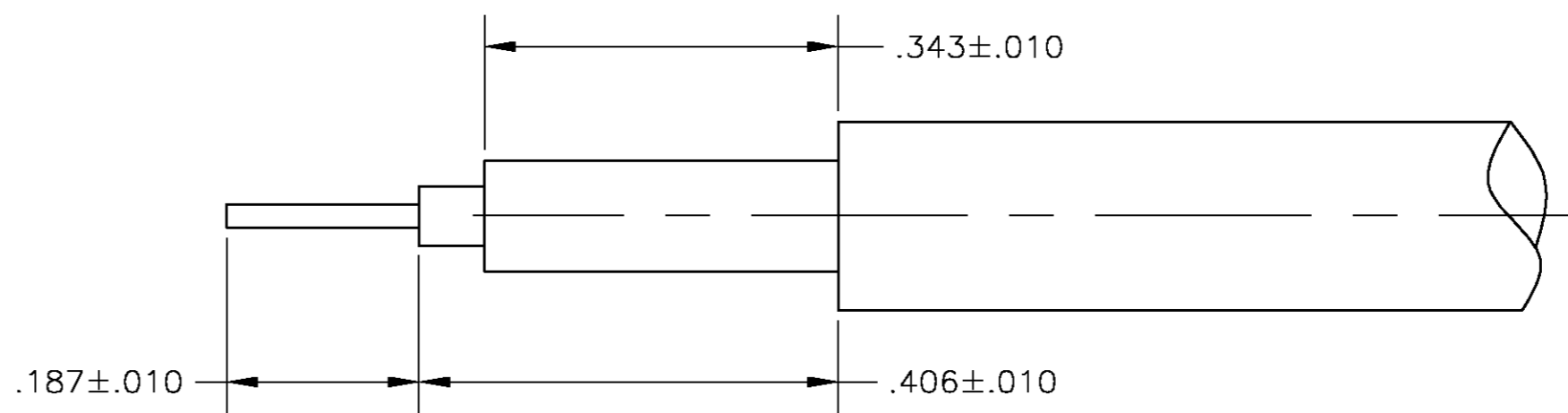
THIS DRAWING IS UNPUBLISHED. RELEASED FOR PUBLICATION
 © COPYRIGHT BY TYCO ELECTRONICS CORPORATION. ALL RIGHTS RESERVED.

LOC	DIST	REVISIONS					
HC	00	P	LTR	DESCRIPTION	DATE	DWN	APVD
		A		RDW & REV PR 0514-0192-04	12-14-04	JDP	JL



ASSEMBLED VIEW

1. I.S.: 2299-5.
2. FOR USE WITH CABLE SIZE: RG-58A/U & 58C/U.
3. HAND TOOL NO.: 220045-2.



RECOMMENDED STRIP LENGTH

1	225592-1	SEAL	4
1	9-225560-1	FERRULE	3
1	225471-1	CONTACT	2
1	5-225518-0	PLUG ASSEMBLY	1
-2 QTY.	PART NUMBER	DESCRIPTION	ITEM #

THIS DRAWING IS A CONTROLLED DOCUMENT.		DWN J. POLIGNONE 12-14-04	Tyco Electronics Corporation Harrisburg, Pa 17105-3608	
DIMENSIONS: INCHES	TOLERANCES UNLESS OTHERWISE SPECIFIED:	CHK J. LIPPERT 12-14-04	NAME CONNECTOR, COAX, R.F. SERIES TNC DUAL CRIMP, RIGHT ANGLE PLUG, WEATHER PROOF	
	0 PLC ± -	APVD J. LIPPERT 12-14-04	SIZE A2	CAGE CODE 00779
	1 PLC ± -	PRODUCT SPEC	DRAWING NO C=225559-2	RESTRICTED TO -
	2 PLC ± -	APPLICATION SPEC	SCALE 6:1	SHEET 1 OF 1
	3 PLC ± -		REV A	
	4 PLC ± -			
MATERIAL	FINISH	WEIGHT	CUSTOMER DRAWING	

225559-2